

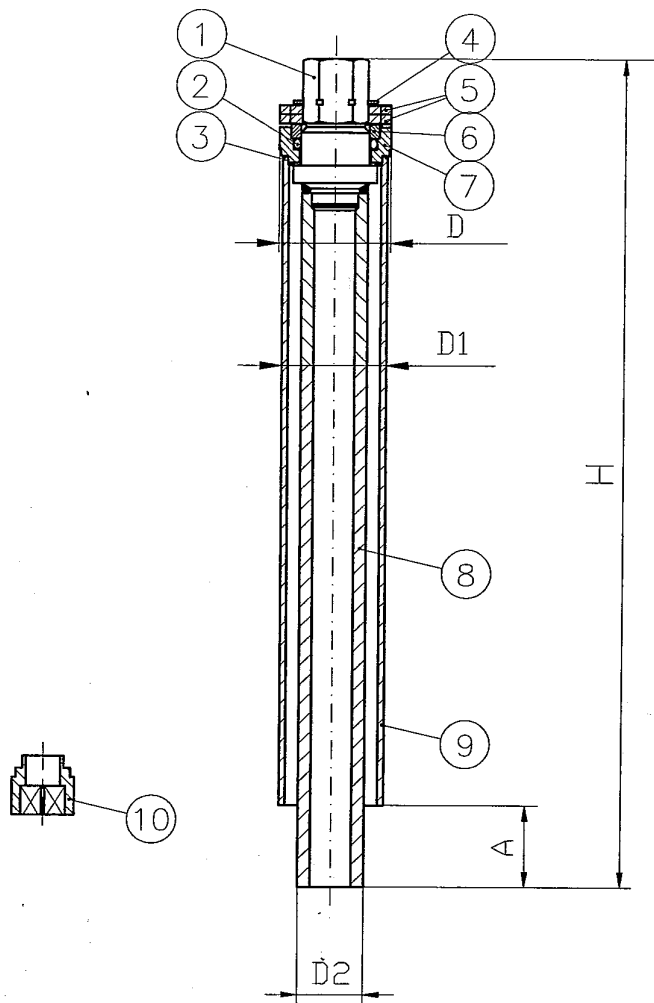
DN	PN	Naval no.	D	D1	D2	D3	L	H	H1	H2	s1	s2
25	40	25480680	33,7	48,3	34,2	33,7	1500	148	165	61	4,0	2,8
32	40	25480780	42,4	60,3	34,2	33,7	1500	152	173	64	4,5	2,75
40	40	25480880	48,3	70,0	34,2	33,7	1500	153	177	79	4,5	2,7
50	40	25480980	60,3	88,9	34,2	33,7	1500	160	190	86	4,0	2,95
65	25	25481080	76,1	101,6	42,9	42,4	1500	156	194	123	5,0	2,95
80	25	25481180	88,9	121	42,9	42,4	1500	160	204	135	5,6	3,3
100	25	25481280	114,3	146	60,9	60,3	1500	159	216	182	6,3	3,6
125	25	25481380	139,7	177,8	60,9	60,3	1500	131	235	202	6,3	3,55
150	25	25481480	168,3	219,1	60,9	60,3	1500	171	255	222	7,1	3,95

ITEM	DESCRIPTION	MATERIAL	
1	WELDING END	CARBON STEEL	St 37.0
2	BODY	CARBON STEEL	St 37.0 (DN40=St 35.8)
3	SEAT RING	FLUOROPLASTIC	PTFE+C
4	BALL	STAINLESS STEEL	AISI316<DN32>AISI 304
5	SUPPORT RING	STAINLESS STEEL	AISI 316<DN100>CR-PLATE
6	CUP SPRING	SPRING STEEL	C67
7	RING	FLUOROPLASTIC	PTFE+C
8	NECK	CARBON STEEL	Fe 52 EP
9	BUSHING	FLUOROPLASTIC	PTFE
10	LOCK RING	STEEL	DIN 471
11	O-RING	FLUROELASTOMER	FPM
12	STEM	STAINLESS STEEL	AISI 303
13	STEM COVER	STAINLESS STEEL	AISI 304

LONG STEM BALL VALVE BASIC SERIE  
STEEL, PN40, PN25 LENGHT 1,5M

40972

A01



DN	D	D1	D2	A
25-32	36	33,7	21,3	87
40-50	36	33,7	21,3	80
65-80	36	42,4	21,3	60
100	60	60,3	33,7	24
125-150	60	60,3	33,7	24
200	6K-90	88,9	60,3	91
250	6K-90	88,9	60,3	91
300	6K-90	88,9	60,3	91

DN	NAVAL NO H=0,5m	H=1,0m	H=1,5m	H=2,0m	H=2,5m	H=3,0m
25-32	29874005	29874010	29874015	29874020	29874025	29874030
40-50	29874205	29874210	29874215	29874220	29874225	29874230
65-80	29874405	29874410	29874415	29874420	29874425	29874430
100	29874605	29874610	29874615	29874620	29874625	29874630
125-150	29874705	29874710	29874715	29874720	29874725	29874730
200	29874905	29874910	29874915	29874920	29874925	29874930
250	29875005	29875010	29875015	29875020	29875025	29875030
300	29875105	29875110	29875115	29875120	29875125	29875130

ITEM	DESCRIPTION	MATERIAL	
1	STEM	STAINLESS STEEL	AISI 304
2	O-RING	FLUROELASTOMER	FPM
3	RING	FLUROPLASTIC	PTFE+C
4	LOCK RING	STAINLESS STEEL	DIN 471
5	STOP COLLAR	CHROME STEEL	
6	BUSHING	FLUROPLASTIC	PTFE+C
7	NECK	STAINLESS STEEL	AISI 304
8	EXTENSION PIPE	CARBON STEEL	St 37.0
9	STEM COVER	STAINLESS STEEL	AISI 304
10	ADAPTER	CARBON STEEL	

EXTENSION STEM SPECIAL HIGHT	48740	D00
------------------------------	-------	-----